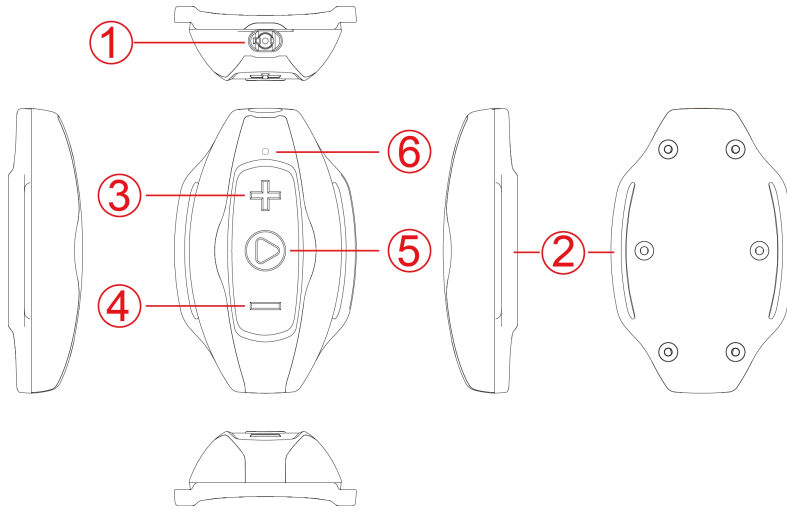


Statement

- I. Thank you for purchasing the S05 Waterproof Digital Audio Player produced by AGPTek. Before using the player, please read the manual carefully. If you have any question or any idea about this product, please email support@agptek.com. We are look forward to hearing from you!
- II. We strongly suggest you to back up the data before transferring to the player in case there is an accident happened to the Digital Audio Player. We are afraid that we could not bear responsibilities for data loss due to mistaken operation or hardware damage.
- III. Users are neither allowed to repair the machine nor to the open the rear cover of the machine by themselves, or else we won't be able to provide you with regular after-sale service.
- IV. Manufacturers of Flash machine usually calculate the capacity by the scale 1000, i.e. 1K=1000byte, 1M=1000K and 1G=1000M. The operation system equalizes 1024K to 1M and the formatted report capacity will be less than the nominal capacity. System files would occupy a bit of space under different systems.

Parts and Controls



1. Earphone/USB Jack (2-in-1)	Jack	Charge/Sync: plug in USB cable; Listen: plug in headphones.
2. The hole for armband		Wear on your arm or goggles, ready for sports.
3. Next Track/Volume+		Next Track: One press; Volume+: Long press and hold.
4. Previous Track/Volume-		Previous Track: One press; Volume-: Long press and hold.
3&5. Shuffle mode		This device plays in sequence mode by default, press the previous Track and Play buttons simultaneously to turn Shuffle mode on and off.
5. Play/Pause/On/Off/Reset		-Play/Pause: press once to toggle -On: hold the play button until light turns on, then music will play automatically -Off: hold on the play button until the red light flashing is off. -Reset: hold on for 10 seconds.
6. Indicating light		Shows the LED light status

LED status in different situations:

Status	Blue indicator	Red indicator	Definition
No Files	Off	Flashing slowly	Red light slowly flashing 5 times and automatically turn off.
Normal Mode	Flashing slowly	Off	When the player is under music repeat mode, the blue light slowly flashing.
Shuffle Mode	Stay blue	Off	When the player is under shuffle mode, the LED stays blue.
Paused	Off	Stay red	The LED stays red and automatically turn off after 5 minute.
Low Battery	Stay blue	Flashes rapidly	The LED stays blue and Red light flashing quickly.
Charging	Flashing	Flashing	The LED flashing blue and red simultaneously when the player is under charging.
Charged	Stay blue	Stay red	The LED stays blue and red simultaneously when the player is charged.

Files transfer

Connect it to the computer with the enclosed Micro USB lead, the mp3 player will show up as a removable disk as soon as the computer recognize it and then just drag files onto the mp3 player.

If your computer cannot recognize the player, the enclosed Micro USB lead may has problem please use another Micro USB lead to connect it to your PC.

Charging the player

1. Plug the headphone end of the USB cable into the player's earphone jack
2. Charge it via the enclosed Micro USB lead through PC or the mains plug.
3. Charge for about 1.5 hour, or until the flashing Red light and blue light changes from flashing to stay bright.

Troubleshooting

-Player does not turn on

1. Make sure battery is charged.
2. Connect to computer and check for response. (LED flashes RED if computer recognizes player).

-No sound comes from headphones

1. Turn up volume (hold down Next Track button).
2. Gently clean out headphone jack.
3. Make sure the audio file format is supported.
4. Check if files play correctly on computer.

-Files do not transfer

1. Make sure the player is correctly connected to the computer (LED should be flashing RED).
2. Make sure there is enough memory available to store the files on the player.

-Light is on, but buttons do not respond

1. Turn off player (press and hold the Play/Pause button for 3 seconds).
2. Press and hold the Play/Pause button for 10 seconds to reset the controls (LED will flash RED and BLUE at the same time and then turn off).

Caution:

1. Don't soak it continually in the water more than 1 hour per time.
2. To avoid corrosion and rust, please simply wash it in clean water after swimming.
3. Please ensure the player is totally dry to connect PC or charging.
4. Using the cap to avoid dropping the waterproof earphone when you are swimming.