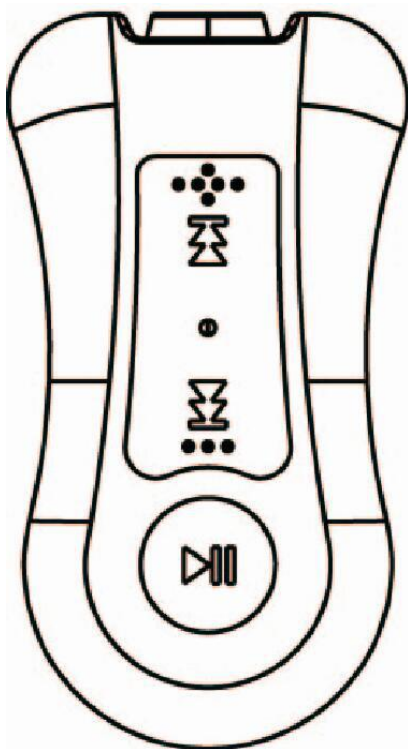


# S12 Waterproof Music Player

## User Manual

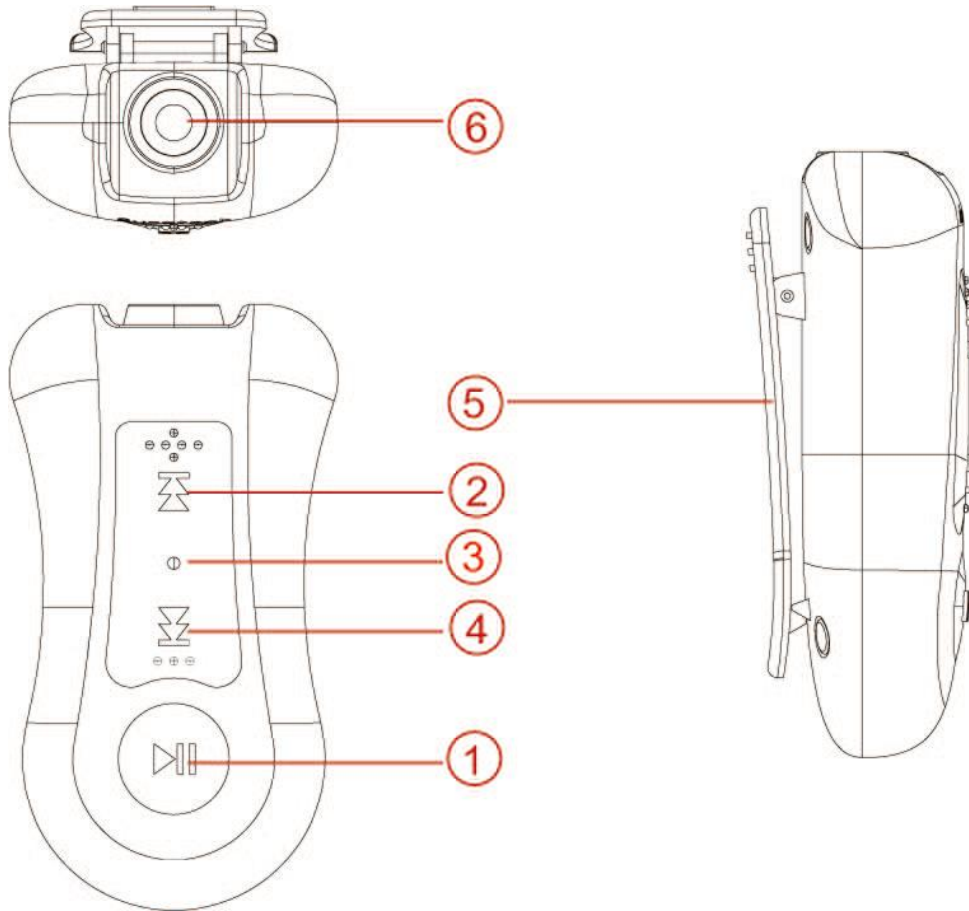


Thank your for purchasing S12 MUSIC PLAYER! Our after-sales is always at your service. Any problem, please feel free to contact us via [support@agptek.com](mailto:support@agptek.com).

## Statement

- I. Thank you for purchasing the S12 Waterproof Digital Audio Player produced by AGPTek. Before using the player, please read the manual carefully. If you have any question or any idea about this product, please email [support@agptek.com](mailto:support@agptek.com). We are look forward to hearing from you!
- II. We strongly suggest you to back up the data before transferring to the player in case there is an accident happened to the Digital Audio Player. We are afraid that we could not bear responsibilities for data loss due to mistaken operation or hardware damage.
- III. Users are neither allowed to repair the machine nor to the open the rear cover of the machine by themselves, or else we won't be able to provide you with regular after-sale service.
- IV. Manufacturers of Flash machine usually calculate the capacity by the scale 1000, i.e. 1K=1000byte, 1M=1000K and 1G=1000M. The operation system equalizes 1024K to 1M and the formatted report capacity will be less than the nominal capacity. System files would occupy a bit of space under different systems.

# Parts and Controls



<p>1. Play/Pause/On/Off /Reset</p>	<ul style="list-style-type: none"> <li>- Play/Pause: click to play or pause;</li> <li>- On: hold the play button until the red and blue light turns on simultaneously, and the music will play automatically;</li> <li>- Off: hold the play button until the red flashing light is off;</li> <li>- Reset: hold on for 10 seconds.</li> </ul>
<p>2. Next Track/Volume+</p>	<ul style="list-style-type: none"> <li>- Next Track: One press;</li> <li>- Volume+: Long press and hold.</li> </ul>
<p>3. Indicating light</p>	<p>Shows the LED light status</p>

4.Previous Track/Volume-	Previous Track: One press; Volume-: Long press and hold.
2&4.Shuffle mode	Press and hold the previous and next Track buttons for 3 seconds simultaneously to turn on/off shuffle mode.
5.The sports clip	Wear on your clothes, ready for sports.
6.Earphone/USB Jack (2-in-1)	Charge/Sync: plug in USB cable; Listen: plug in headphones.

### LED status in different situations:

Status	Blue indicator	Red indicator	Definition
No Files	Off	Flashing slowly	Red light slowly flashing 5times and automatically turn off.
Normal Mode	Flashing slowly	Off	When the player is under music repeat mode, the blue light slowly flashing.
Shuffle Mode	Flashing quickly	Off	when the player is under shuffle mode, and then the LED flashing blue quickly
Paused	Off	Stay red	The LED stays red and automatically turn off after 5 minute.

Low Battery	Stay blue	Flashes rapidly	The LED stays blue and red light flashing quickly with warning sound for every 2 minutes until powered off.
Charging	Flashing quickly	Flashing quickly	The LED flashing blue and red simultaneously when the player is under charging.
Charged	Stay blue	Stay red	The LED stays blue and red simultaneously when the player is fully charged.

## Files transfer

Connect it to the computer with the enclosed Micro USB lead, the mp3 player will show up as a removable disk as soon as the computer recognize it and then just drag files onto the mp3 player.

**If your computer cannot recognize the player, the enclosed Micro USB lead may has problem, please use another Micro USB lead to connect it to your PC.**

## Charging the player

1. Plug the headphone end of the USB cable into the player's earphone jack.
2. Charge it via the enclosed Micro USB lead through PC or the mains plug.
3. Charge for about 1.5 hour, or until both the red and blue light stays on.

## Troubleshooting

- Player does not turn on

1. Make sure battery is charged.
2. Connect to computer and check for response. (Both the red and blue lights turn on, then stays blue, and then red and blue lights stay on if computer recognizes player).

- No sound comes from headphones

1. Turn up volume (hold down Next Track button).
2. Gently clean out headphone jack.
3. Make sure the audio file format is supported.
4. Check if files play correctly on computer.

- Files do not transfer

1. Make sure the player is correctly connected to the computer (Red and blue light flashing quickly simultaneously).
2. Make sure there is enough memory available to store the files on the player.

- Light is on, but buttons do not respond

1. Turn off player (press and hold the Play/Pause button for 3 seconds).
2. Press and hold the Play/Pause button for 10 seconds to reset the controls (LED will flash RED and BLUE at the same time and then turn off).

### Caution:

1. Don't soak it continually in the water more than 1 hour per time.
2. To avoid corrosion and rust, please simply wash it in clean water after swimming.
3. Please ensure the player is totally dry to connect PC or charging.
4. Using the cap to avoid dropping the waterproof earphone when you are swimming.